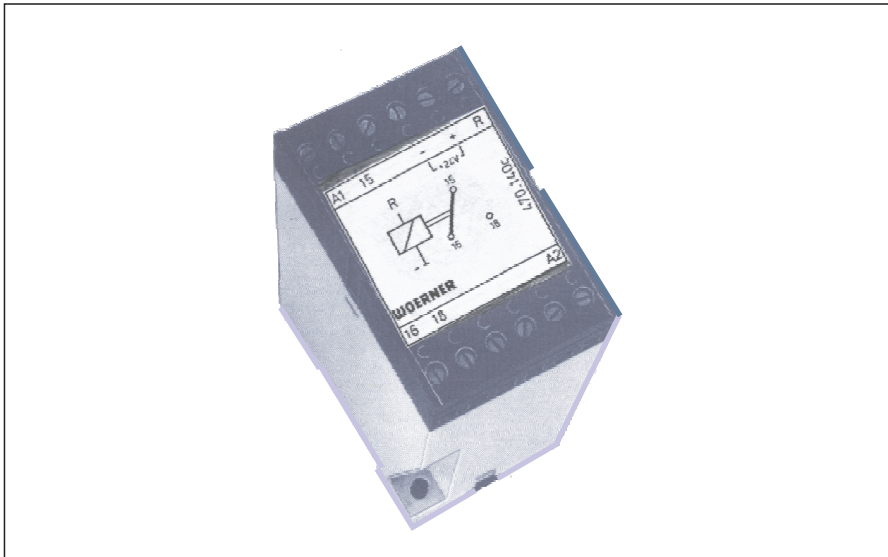


## Switching Amplifier

470.140



- Power supply 24V DC

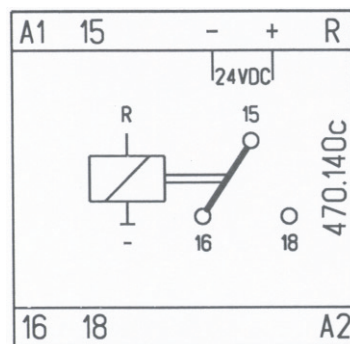
- Signal transformation from 24VDC to potential-free relay output

### Function:

The switching amplifier comprises a 24V DC power supply. The voltage applies to the terminals +/- . By means of a 160mA fuse the voltage is protected from overloads and short-circuits.

Besides, there is a 24V DC relay available. When bridging the terminals + and R the relay will be connected to power. The potential-free change-over contacts apply to the terminals 15/16/18.

### Connection diagram



### Technical Data:

Input voltages: 230VAC +10-15%  
115VAC +10-15%  
120VAC +10-15%

Frequency: 50 ±60 Hz

Output voltage: 19 ±25 VDC smoothed

Max. Output current: 135 mA

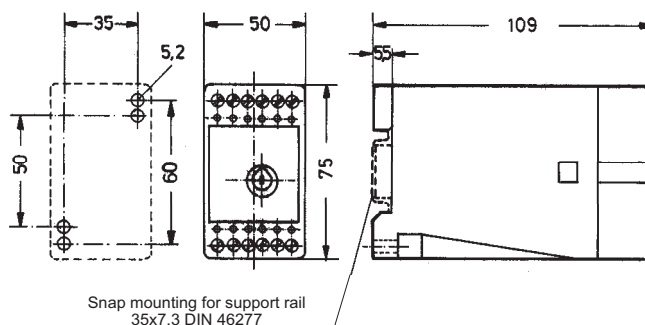
Relay input: 24VDC ca. 1 kΩ

Relay output: Change-over contact  
max. 250 V  
5 A  
1250 VA

Ambiente temperature: 0 + +60°C

Weight: 0,4kg

### Dimension drawing of housing



### Purchasing data:

Switching amplifier	470.140-60
Input voltage 230V	470.140-61
Input voltage 115V	470.140-62
Input voltage 120V	

- Änderungen vorbehalten -